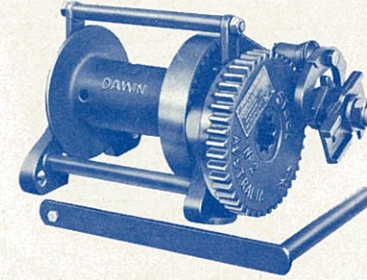


"DAWN" ^{Aug 80} To be updated. Metric etc.

ALL STEEL HAND WINCHES



FULLY APPROVED FOR MOUNTING ON VEHICLES

For Tow Trucks, Carriers, Builders, Structural and Industrial Engineers,
Factories, Warehouses, Store Yards, Etc.

- Constructed throughout of high grade electric cast steel designed without keys or set screws to shear or strip
- Generously proportioned bearings.
- No. 2 and No. 5 Winches are fitted with an automatic safety load brake which applies when under load, immediately the operator releases the winding handle.
- Construction of these winches allows the operator to disengage the pinion, thereby giving free run out of cable eliminating manual winding.
- Another feature of these winches is the simplicity of operation. The handle can be turned in either direction without manually releasing any locking mechanism.
- The brake is of a weston screw type designed so that at no stage or position can the double acting pawl to be disengaged. (This ensures maximum safety.)
- Brake lining is of selected disc fibre giving maximum wear and efficiency.

MANUFACTURED TO AND APPROVED BY LIFTS AND CRANES REGULATIONS AND TO S.A.A. CRANE AND HOIST CODE

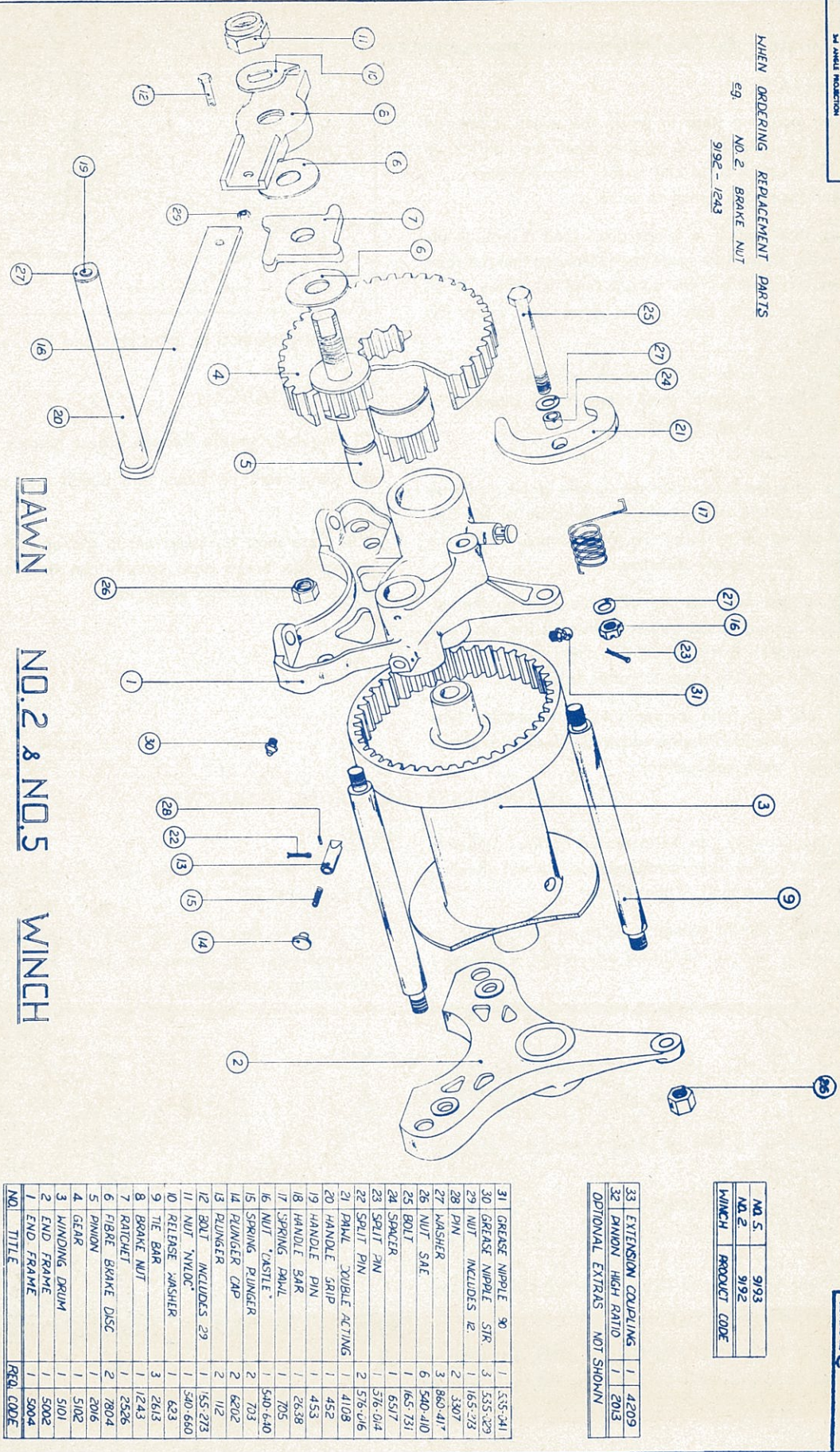
Manufactured in Australia by:

DAWN TOOLS & VICES

(A Division of Siddons Pty. Ltd.)

1 NORRIS STREET, NORTH COBURG, VICTORIA, 3058

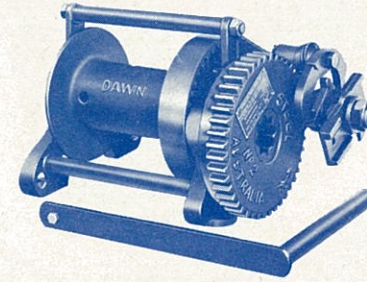
TELEPHONE: 350 3811



ORDER REPLACEMENT PARTS BY NAME AND PART NUMBERS

Aug 80
To be updated.
Noelric etc.

"DAWN" ALL STEEL HAND WINCHES



FULLY APPROVED FOR MOUNTING ON VEHICLES

For Tow Trucks, Carriers, Builders, Structural and Industrial Engineers,
Factories, Warehouses, Store Yards, Etc.

- Constructed throughout of high grade electric cast steel designed without keys or set screws to shear or strip
- Generously proportioned bearings.
- No. 2 and No. 5 Winches are fitted with an automatic safety load brake which applies when under load, immediately the operator releases the winding handle.
- Construction of these winches allows the operator to disengage the pinion, thereby giving free run out of cable eliminating manual winding.
- Another feature of these winches is the simplicity of operation. The handle can be turned in either direction without manually releasing any locking mechanism.
- The brake is of a weston screw type designed so that at no stage or position can the double acting pawl to be disengaged. (This ensures maximum safety.)
- Brake lining is of selected disc fibre giving maximum wear and efficiency.

MANUFACTURED TO AND APPROVED BY LIFTS AND CRANES REGULATIONS AND TO S.A.A. CRANE AND HOIST CODE

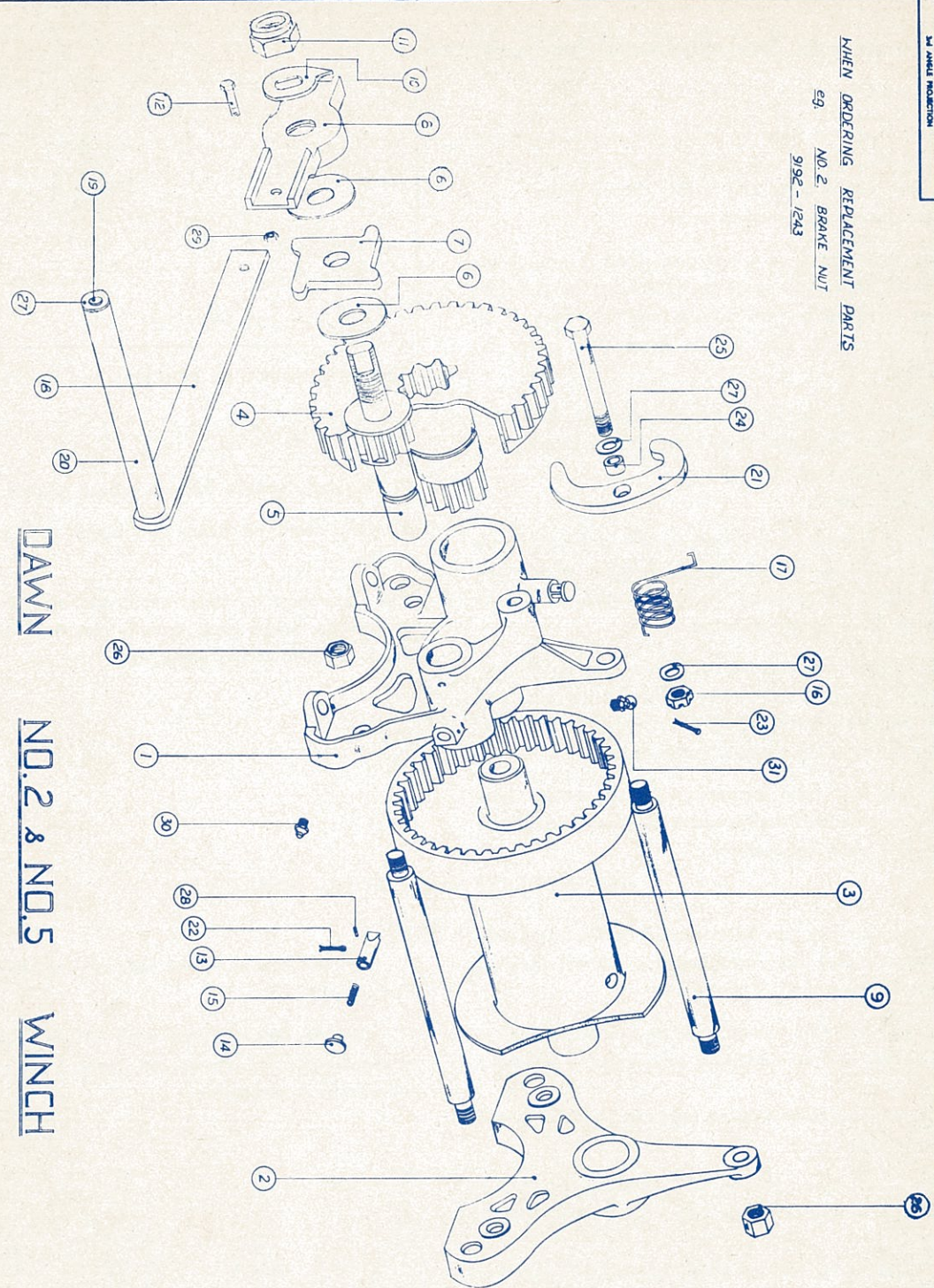
Manufactured in Australia by:

DAWN TOOLS & VICES

(A Division of Siddons Pty. Ltd.)

1 NORRIS STREET, NORTH COBURG, VICTORIA, 3058

TELEPHONE: 350 3811



34 PARTS POSITION

WHEN ORDERING REPLACEMENT PARTS
EG. NO. 2 BRAKE NUT
9192 - 1243

DAWN

NO. 2 & NO. 5

WINCH

ORDER REPLACEMENT PARTS BY NAME AND PART NUMBERS

NO.	TITLE	REQ.	CODE
1	END FRAME	1	5004
2	END FRAME	1	5004
3	WINDING DRUM	1	5101
4	GEAR	1	5102
5	PINION	1	2016
6	FRIBE BRAKE DISC	2	7804
7	RAATCHET	1	2526
8	BRAKE NUT	1	1243
9	THE BAR	3	2613
10	RELEASE WASHER	1	623
11	NUT "NUTDC"	1	540-660
12	BOLT INCLUDES 29	1	455-273
13	PLUNGER	2	6202
14	SPRING PLUNGER CAP	2	703
15	SPRING PLUNGER	2	540-640
16	NUT "CASTLE"	1	2638
17	SPRING PAWL	1	705
18	HANDLE BAR	1	455
19	HANDLE PIN	1	455
20	HANDLE GRIP	1	4108
21	DOUBLE ACTING	1	4108
22	SPLIT PIN	2	576-016
23	SPLIT PIN	1	576-014
24	SPACER	1	6517
25	BOLT	6	165-731
26	NUT SAE	6	540-410
27	WASHER	3	860-41*
28	PIN INCLUDES 12	2	3307
29	NUT INCLUDES 12	2	165-278
30	GREASE NIPPLE STR	3	535-229
31	GREASE NIPPLE 90	1	535-241

33	EXTENSION COUPLING	1	4209
32	PINION HIGH RATIO	1	2013
OPTIONAL EXTRAS NOT SHOWN			

NO. 5	9193
NO. 2	9192
WINCH	PRODUCT CODE